

Centre No.					
Candidate No.					

Paper Reference (complete below)						
6	6	8	9	/	0	1

Surname	Initial(s)
Signature	

Paper Reference(s)

6689/01

Edexcel GCE

Decision Mathematics D1

Advanced/Advanced Subsidiary

November 2002

Answer Booklet

1. (a) A, X, D, F, \dots
(b)

(Total 4 marks)

2. (a)

(b) \dots
 \dots
 \dots

(Total 6 marks)

4. (a)

.....

.....

.....

.....

.....

.....

.....

.....

.....

.....

.....

.....

.....

.....

.....

.....

.....

.....

.....

.....

.....

(b)

.....

.....

.....

.....

.....

.....

.....

.....

.....

.....

.....

.....

.....

.....

.....

.....

.....

.....

.....

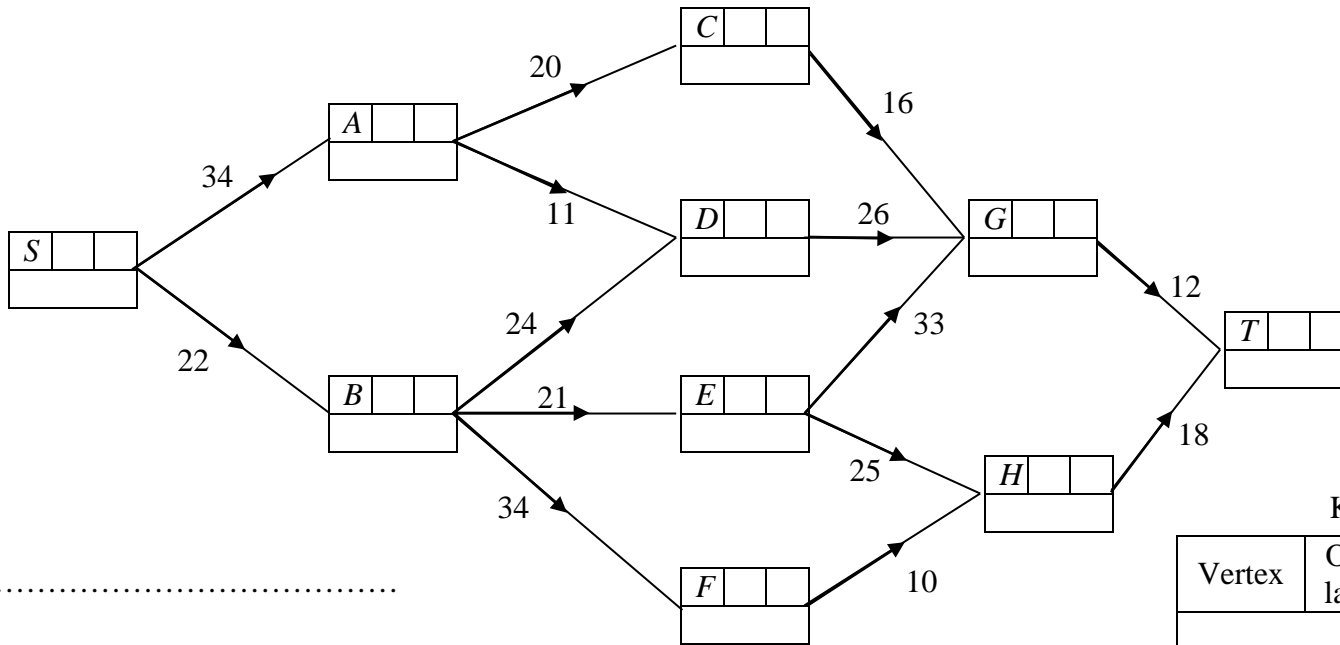
.....

Length of route:

.....

(Total 7 marks)

5. (a)



Route:

Length:.....

Key		
Vertex	Order of labelling	Final label
Working values		

(b)

.....

.....

(c)

.....

.....

(Total 10 marks)

Turn over

leave blank

6. (a)

.....

.....

.....

.....

.....

.....

.....

.....

.....

.....

.....

(b)

.....

.....

.....

.....

.....

.....

.....

.....

.....

(c)

.....

.....

.....

.....

.....

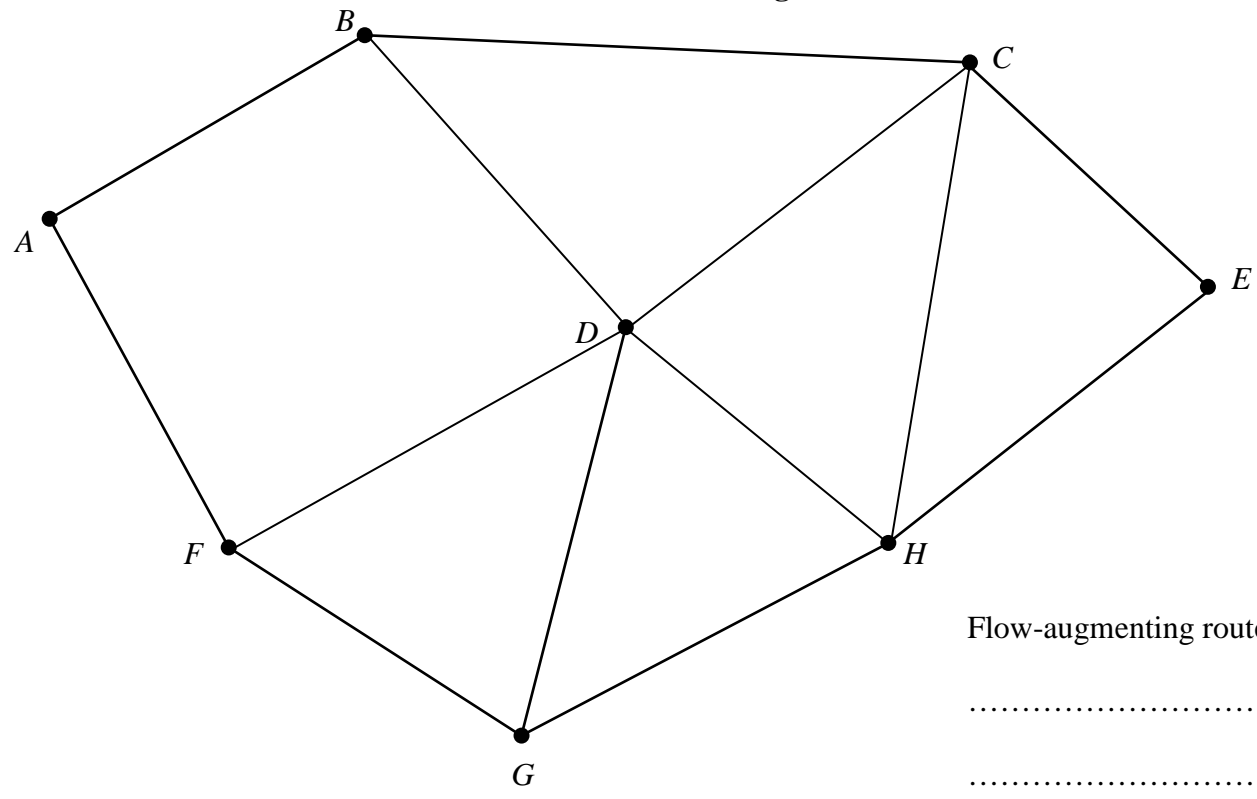
(Total 10 marks)

BLANK PAGE

TURN OVER FOR ANSWER SHEET TO QUESTION 7

7. (a)
(b)
(c)

Diagram 1

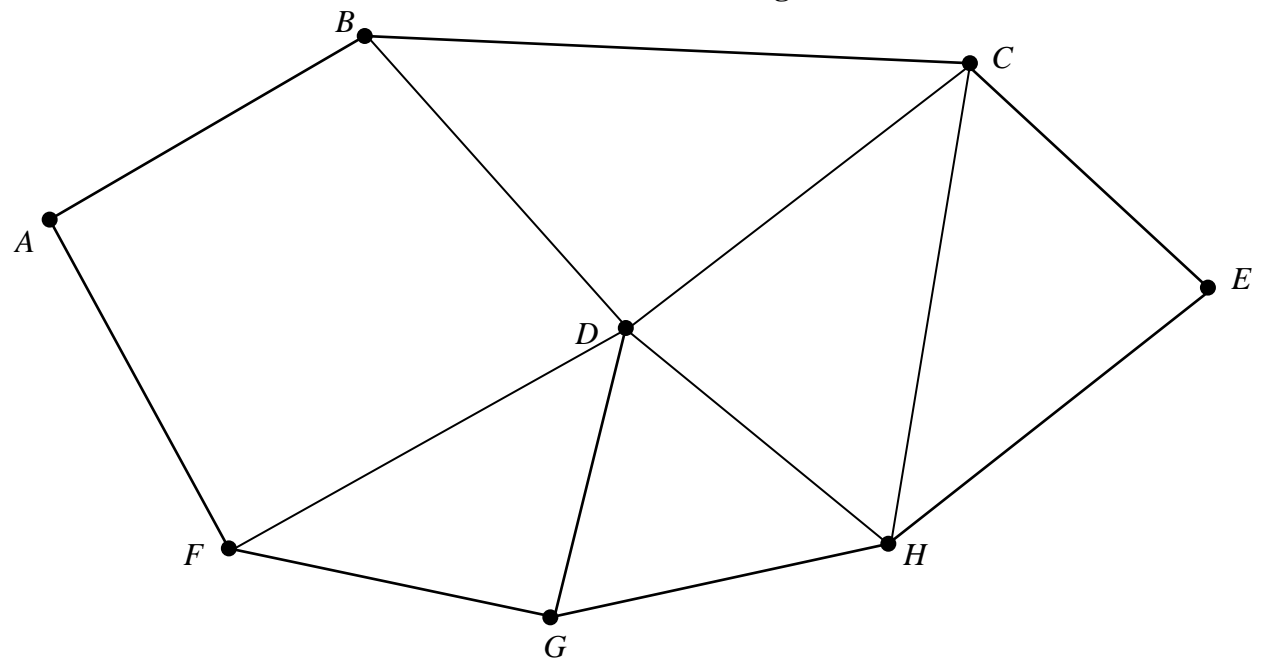


Flow-augmenting routes

-
.....
.....
.....

(d)

Diagram 2



Maximum flow:

(e)
.....
.....
.....
.....

(Total 14 marks)

Turn over

leave
blank

8. (a)

.....

.....

.....

.....

.....

.....

.....

.....

(b) *You may not need to use all of these tableaux*

Basic variable	x	y	z	r	s	t	Value

Basic variable	x	y	z	r	s	t	Value

Basic variable	x	y	z	r	s	t	Value

Basic variable	x	y	z	r	s	t	Value

Basic variable	x	y	z	r	s	t	Value

Basic variable	x	y	z	r	s	t	Value

Solution

.....

.....

.....

(c)

.....

.....

.....

.....

.....

.....

(Total 17 marks)

TOTAL FOR PAPER: 75 MARKS